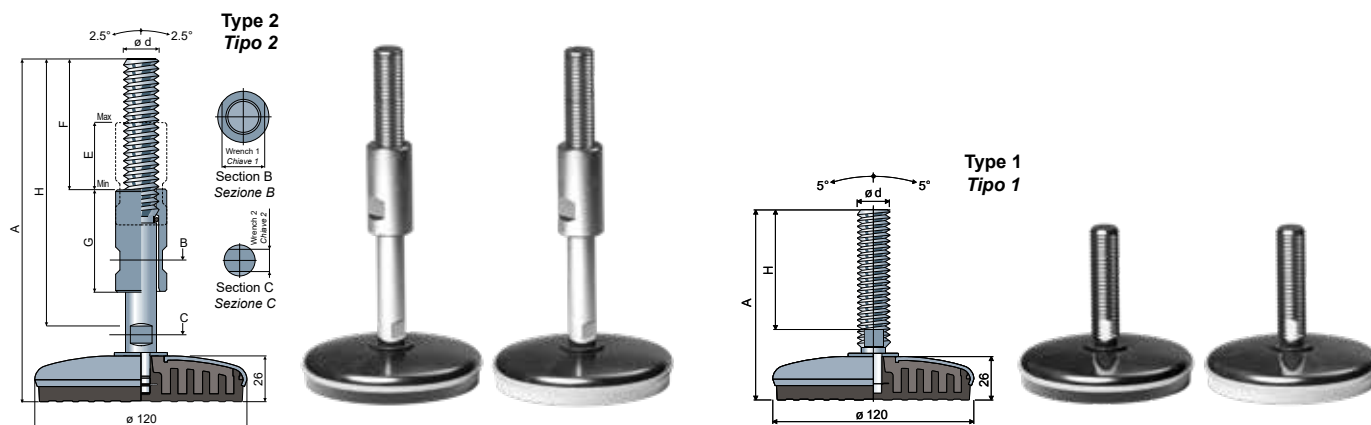


Adjustable feet sanitizable (stainless steel base) ø 120 - Part. PO17
Piedi sanificabili orientabili (base in acciaio inox) ø 120 - Part. PO17



Type 1 / Tipo 1

Spindle measures in mm / Misure stelo in mm

Spindle and base in stainless steel AISI 304
 Stelo e base in acciaio inox AISI 304

ød	A	H	Wrench Chiave	Black anti-slip pad Antivibrante nero		White anti-slip pad Antivibrante bianco		Max static load Carico statico (N)	
				Type/Tipo	Code/Codice	Type/Tipo	Code/Codice		
M12x1,75	109	70	10	PO17A	CP001469	POB17A	CPC01469	17000	
M14x2	148	108	12	PO17B	CP001470	POB17B	CPC01470		
M16x2	102	58	13	PO17C	CP001471	POB17C	CPC01471		
	133	89	13	PO17K	CPA00964	POB17K	CPA00965		
	163	119	13	PO17D	CP001472	POB17D	CPC01472		
	189	145	13	PO17E	CP001473	POB17E	CPC01473		
M18x2,5	245	201	13	PO17F	CP001474	POB17F	CPC01474		
	201	157	15	PO17G	CP001475	POB17G	CPC01475		
	135	89	17	PO17U	CPA01483	POB17U	CPA01484		
	153	107	17	PO17H	CP001476	POB17H	CPC01476		
M20x2,5	182	136	17	PO17I	CP001477	POB17I	CPC01477		30000
	203	157	17	PO17L	CP001478	POB17L	CPC01478		
	236	190	17	PO17M	CP001479	POB17M	CPC01479		
	284	238	17	PO17N	CP001480	POB17N	CPC01480		
M24x3	139	90	19	PO17O	CP001481	POB17O	CPC01481		
	176	127	19	PO17P	CP001482	POB17P	CPC01482		
	211	162	19	PO17Q	CP001483	POB17Q	CPC01483		
	250	201	19	PO17R	CP001484	POB17R	CPC01484		
M30x3,5	174	125	24	PO17S	CP001485	POB17S	CPC01485		
	234	185	24	PO17T	CP001486	POB17T	CPC01486		

Type 2 / Tipo 2

Spindle measures in mm / Misure stelo in mm

Spindle and base in stainless steel AISI 304
 Stelo e base in acciaio inox AISI 304

ød	A	H	F	E	G	Wrench 1 Chiave 1	Wrench 2 Chiave 2	Black anti-slip pad Antivibrante nero		White anti-slip pad Antivibrante bianco		Max static load Carico statico (N)
								Type/Tipo	Code/Codice	Type/Tipo	Code/Codice	
M16x2	200	159	73	39	60	22	12	PO17V	CPC01487	POB17V	CPC01493	30000
	260	220	100	78	100	22	12	PO17Z	CPC01488	POB17Z	CPC01494	
M20x2,5	200	159	73	39	60	25	13	PO17W	CPC01489	POB17W	CPC01495	
	260	220	100	78	100	25	13	PO17X	CPC01490	POB17X	CPC01496	
M24x3	200	159	73	39	60	30	17	PO17Y	CPC01491	POB17Y	CPC01497	
	260	220	100	78	100	30	17	PO17J	CPC01492	POB17J	CPC01498	

Washers/Rosette UNI 6592-69

ø M	M12	M14	M16	M20	M24	M30
S mm	2,5	2,5	3	3	4	4
ø A mm	24	28	30	37	44	56
Code/Codice IN	CP007287	CP007288	CP007291	CP007292	CP007294	CP007296

Nuts/Dadi UNI 5588-65

ø d	M12	M14	M16	M20	M24	M30
S mm	10	11	13	16	19	24
Ch. mm	19	22	24	30	36	46
Code/Codice IN	CP007273	CP007274	CP007277	CP007278	CP007280	CP007282

MATERIAL: Internal part made of reinforced polyamide; external covering made of stainless steel AISI 304; anti-slip pad made of thermoplastic rubber 68 Shore black or white colour.

MATERIALE BASE: Anima interna in poliammide + FV; rivestimento esterno in acciaio inox AISI 304; antivibrante in gomma termoplastica 68 shore colore nero o bianco.