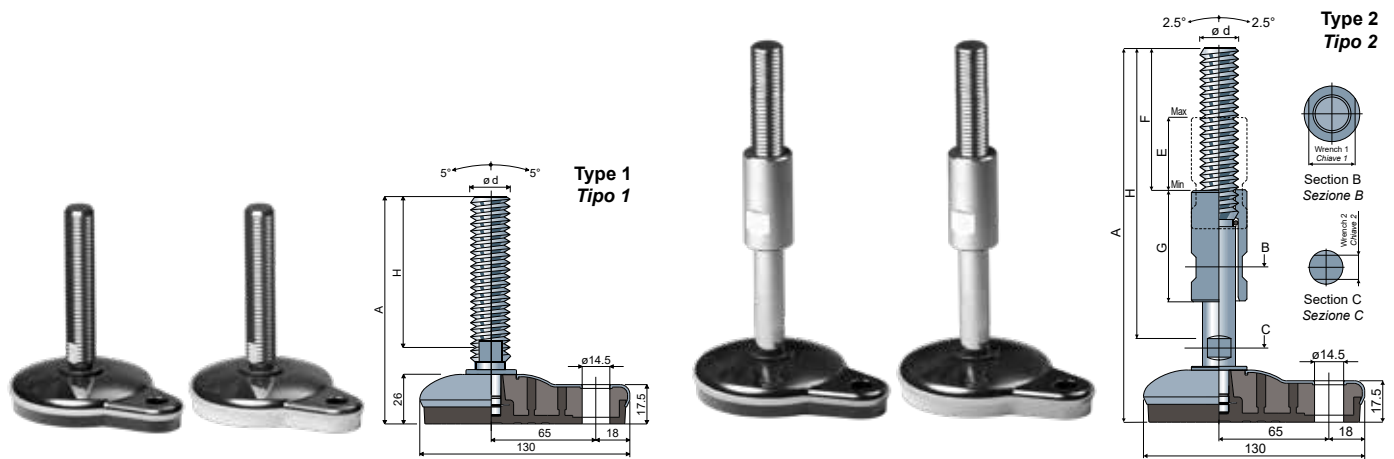


**Articulated feet sanitizable with side fixing system (stainless steel base) 95x130 - Part. PO29**  
**Piedi sanificabili orientabili con fissaggio laterale (base in acciaio inox) 95x130 - Part. PO29**



**Type 1 / Tipo 1**

Spindle measures in mm / Misure stelo in mm

Spindle and base in stainless steel AISI 304  
Stelo e base in acciaio inox AISI 304

ød	A	H	Wrench Chiave	Black anti-slip pad Antivibrante nero		White anti-slip pad Antivibrante bianco		Max static load Carico statico (N)	
				Type/Tipo	Code/Codice	Type/Tipo	Code/Codice		
M12x1,75	111	70	10	PON29A	CPB01252	POB29A	CPC01252	17000	
M14x2	150	108	12	PON29B	CPB01253	POB29B	CPC01253		
M16x2	103	58	13	PON29C	CPB01254	POB29C	CPC01254		
	134	89	13	PON29K	CPA00962	POB29K	CPA00963		
	164	119	13	PON29D	CPB01255	POB29D	CPC01255		
	190	145	13	PON29E	CPB01256	POB29E	CPC01256		
M18x2,5	246	201	13	PON29F	CPB01257	POB29F	CPC01257		
	203	157	15	PON29G	CPB01258	POB29G	CPC01258		
	136	89	17	PON29H	CPB01259	POB29H	CPC01259		
M20x2,5	154	107	17	PON29I	CPB01260	POB29I	CPC01260		27000
	183	136	17	PON29L	CPB01261	POB29L	CPC01261		
	204	157	17	PON29M	CPB01262	POB29M	CPC01262		
	237	190	17	PON29N	CPB01263	POB29N	CPC01263		
	285	238	17	PON29O	CPB01264	POB29O	CPC01264		
M24x3	141	90	19	PON29P	CPB01265	POB29P	CPC01265		
	178	127	19	PON29Q	CPB01266	POB29Q	CPC01266		
	213	162	19	PON29R	CPB01267	POB29R	CPC01267		
	252	201	19	PON29S	CPB01268	POB29S	CPC01268		
M30x3,5	176	125	24	PON29T	CPB01269	POB29T	CPC01269		
	236	185	24	PON29U	CPB01270	POB29U	CPC01270		

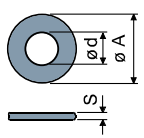
**Type 2 / Tipo 2**

Spindle measures in mm / Misure stelo in mm

Spindle and base in stainless steel AISI 304  
Stelo e base in acciaio inox AISI 304

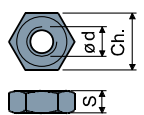
ød	A	H	F	E	G	Wrench 1 Chiave 1	Wrench 2 Chiave 2	Black anti-slip pad Antivibrante nero		White anti-slip pad Antivibrante bianco		Max static load Carico statico (N)
								Type/Tipo	Code/Codice	Type/Tipo	Code/Codice	
M16x2	200	159	73	39	60	22	12	PON29V	CPB01271	POB29V	CPC01271	27000
	260	220	100	78	100	22	12	PON29Z	CPB01272	POB29Z	CPC01272	
M20x2,5	200	159	73	39	60	25	13	PON29W	CPB01273	POB29W	CPC01273	
	260	220	100	78	100	25	13	PON29X	CPB01274	POB29X	CPC01274	
M24x3	200	159	73	39	60	30	17	PON29Y	CPB01277	POB29Y	CPC01277	
	260	220	100	78	100	30	17	PON29J	CPB01278	POB29J	CPC01278	

**Washers/Rosette UNI 6592-69**



ø M	M12	M14	M16	M20	M24	M30
S mm	2,5	2,5	3	3	4	4
ø A mm	24	28	30	37	44	56
Code/Codice IN	CP007287	CP007288	CP007291	CP007292	CP007294	CP007296

**Nuts/Dadi UNI 5588-65**



ø d	M12	M14	M16	M20	M24	M30
S mm	10	11	13	16	19	24
Ch. mm	19	22	24	30	36	46
Code/Codice IN	CP007273	CP007274	CP007277	CP007278	CP007280	CP007282

**MATERIAL:** Internal part made of reinforced polyamide; external covering made of stainless steel AISI 304; anti-slip pad made of thermoplastic rubber 68 Shore black or white colour.

**MATERIALE BASE:** Anima interna in poliammide + FV; rivestimento esterno in acciaio inox AISI 304; antivibrante in gomma termoplastica 68 shore colore nero o bianco.