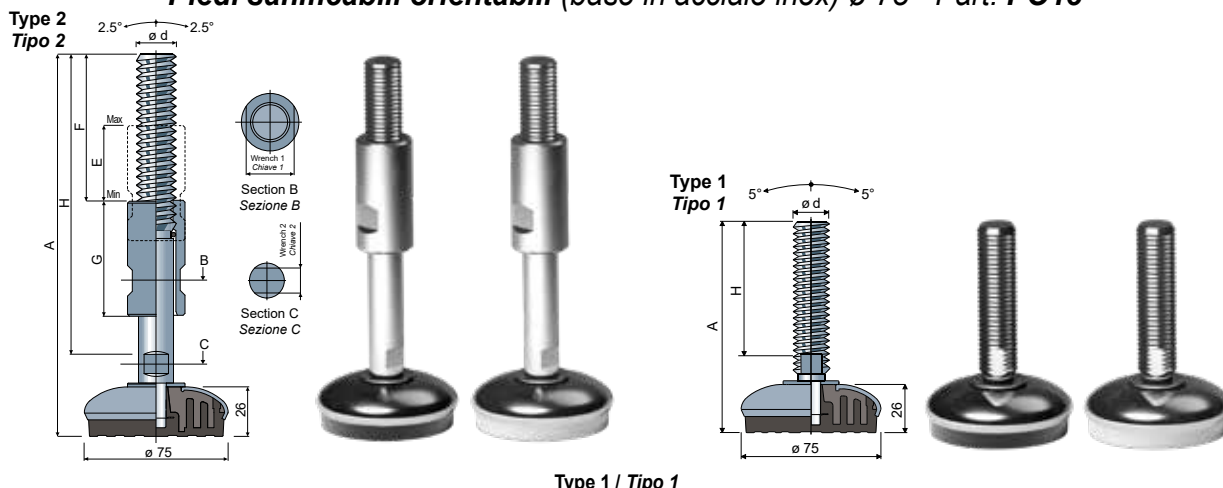


Adjustable feet sanitizable (stainless steel base) ø 75 - Part. PO13
Piedi sanificabili orientabili (base in acciaio inox) ø 75 - Part. PO13



Type 1 / Tipo 1

Spindle measures in mm / Misure stelo in mm

Spindle and base in stainless steel AISI 304
 Stelo e base in acciaio inox AISI 304

ød	A	H	Wrench Chiave	Black anti-slip pad Antivibrante nero		White anti-slip pad Antivibrante bianco		Max static load Carico statico (N)
				Type/Tipo	Code/Codice	Type/Tipo	Code/Codice	
M12x1,75	109	70	10	PO13A	CP001397	POB13A	CPA01380	17000
M14x2	148	108	12	PO13B	CP001398	POB13B	CPA01381	
M16x2	102	58	13	PO13C	CP001399	POB13C	CPA01382	24000
	133	89	13	PO13K	CPA00956	POB13K	CPA00957	
	163	119	13	PO13D	CP001400	POB13D	CPA01383	
	189	145	13	PO13E	CP001401	POB13E	CPA01384	
M18x2,5	245	201	13	PO13F	CP001402	POB13F	CPA01385	24000
	201	157	15	PO13G	CP001403	POB13G	CPA01386	
M20x2,5	135	89	17	PO13U	CPA01398	POB13U	CPA01399	24000
	153	107	17	PO13H	CP001404	POB13H	CPA01387	
	182	136	17	PO13I	CP001405	POB13I	CPA01388	
	203	157	17	PO13L	CP001406	POB13L	CPA01389	
M24x3	236	190	17	PO13M	CP001407	POB13M	CPA01390	24000
	284	238	17	PO13N	CP001408	POB13N	CPA01391	
	139	90	19	PO13O	CP001409	POB13O	CPA01392	
	176	127	19	PO13P	CP001410	POB13P	CPA01393	
M30x3,5	211	162	19	PO13Q	CP001411	POB13Q	CPA01394	24000
	250	201	19	PO13R	CP001412	POB13R	CPA01395	
M30x3,5	174	125	24	PO13S	CP001413	POB13S	CPA01396	24000
	234	185	24	PO13T	CP001414	POB13T	CPA01397	

Type 2 / Tipo 2

Spindle measures in mm / Misure stelo in mm

Spindle and base in stainless steel AISI 304
 Stelo e base in acciaio inox AISI 304

ød	A	H	F	E	G	Wrench 1 Chiave 1	Wrench 2 Chiave 2	Black anti-slip pad Antivibrante nero		White anti-slip pad Antivibrante bianco		Max static load Carico statico (N)
								Type/Tipo	Code/Codice	Type/Tipo	Code/Codice	
M16x2	200	159	73	39	60	22	12	PO13V	CPA01350	POB13V	CPA01356	24000
	260	220	100	78	100	22	12	PO13Z	CPA01351	POB13Z	CPA01357	
M20x2,5	200	159	73	39	60	25	13	PO13W	CPA01352	POB13W	CPA01358	24000
	260	220	100	78	100	25	13	PO13X	CPA01353	POB13X	CPA01359	
M24x3	200	159	73	39	60	30	17	PO13Y	CPA01354	POB13Y	CPA01360	24000
	260	220	100	78	100	30	17	PO13J	CPA01355	POB13J	CPA01361	

Washers/Rosette UNI 6592-69

ø M	M12	M14	M16	M20	M24	M30
S mm	2,5	2,5	3	3	4	4
ø A mm	24	28	30	37	44	56
Code/Codice IN	CP007287	CP007288	CP007291	CP007292	CP007294	CP007296

Nuts/Dadi UNI 5588-65

ø d	M12	M14	M16	M20	M24	M30
S mm	10	11	13	16	19	24
Ch. mm	19	22	24	30	36	46
Code/Codice IN	CP007273	CP007274	CP007277	CP007278	CP007280	CP007282

MATERIAL: Internal part made of reinforced polyamide; external covering made of stainless steel AISI 304; anti-slip pad made of thermoplastic rubber 68 Shore black or white colour.

MATERIALE BASE: Anima interna in poliammide + FV; rivestimento esterno in acciaio inox AISI 304; antivibrante in gomma termoplastica 68 shore colore nero o bianco.