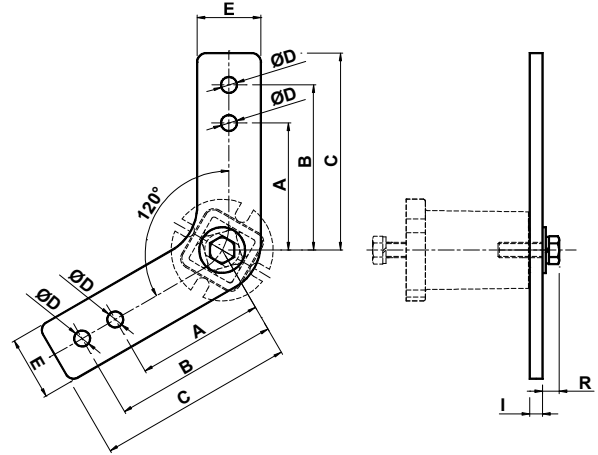


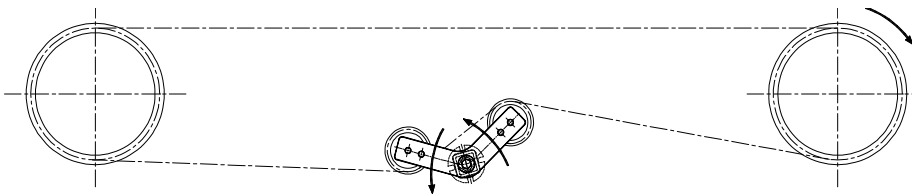
Zuböher Typ V / V type accessories

V - Support ist aus verzinkten Stahl gefertigt und wird auf einen Spannelement Typ **CEA** oder **CEAP** montiert. Das Element ist ideal zum Spannen von Riemen und Ketten mit einen langen Achsabstand.

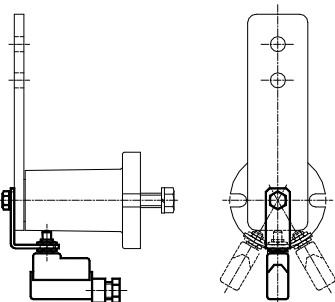
The V accessory is made of galvanized steel. This double arm has to be applied at the **CEA** and **CEAP** basic elements. This products is suitable to tension chain or belts with high interaxis between the pinions.



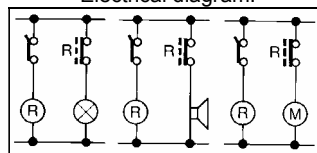
Typ Type	Cod. n°	A	B	C	ØD	E	I	R	Gew. Weight [Kg]
V 30	RE010997	80	100	115	10.5	35	8	11.2	0.51
V 40	RE010998	100	130	155	12.5	50	10	13.0	1.22



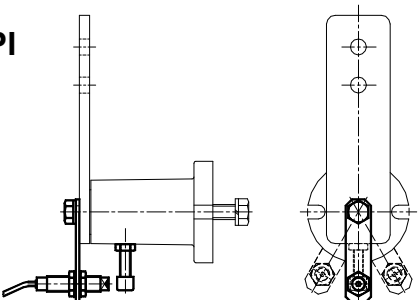
Anwendungsbeispiel / Application scheme

Zuböher Typ FM und FPI / FM and FPI type accessories
FM

 Mit elektrischen Schalter
with electrical switch.


Electrical diagram:



I fine corsa elettrici a interruttore "FM" e induttivo "FPI" sono utili quando si vuole controllare il corretto funzionamento della macchina e/o salvaguardare l'incolumità degli operatori. Vedi schema elettrico. *The "FM" electric limit switches and the "FPI" inductive limit switches are useful when You have to control the correct operation of the machine and/or to ensure the operator safety. See wiring diagram.*

FPI


Mit Induktionsschalter / with inductive switch.



Typ Type	Cod. N°
FM 10	RE011065
FM 20	RE011066
FM 30	RE011067
FM 40	RE011068
FM 50	RE011069
FM 60	RE011070
FM 70	RE011071

Tipo Type	Cod. N°
FPI 10	RE011075
FPI 20	RE011076
FPI 30	RE011077
FPI 40	RE011078
FPI 50	RE011079
FPI 60	RE011080
FPI 70	RE011081