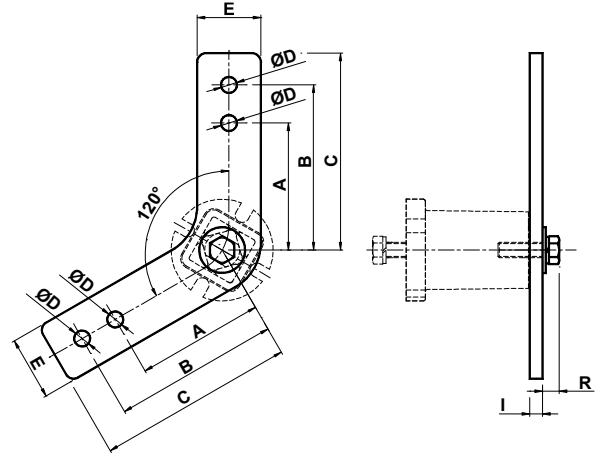


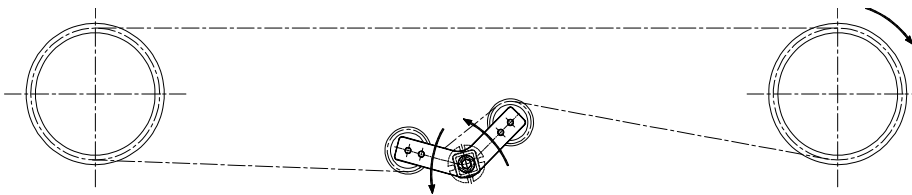
Zuböher Typ V / V type accessories

V - Support ist aus verzinkten Stahl gefertigt und wird auf einen Spannelement Typ **CEA** oder **CEAP** montiert. Das Element ist ideal zum Spannen von Riemen und Ketten mit einen langen Achsabstand.

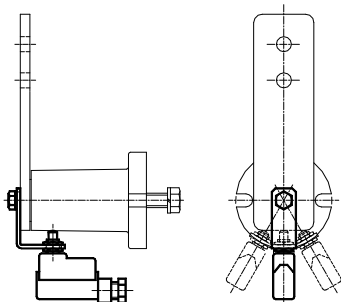
The V accessory is made of galvanized steel. This double arm has to be applied at the CEA and CEAP basic elements. This products is suitable to tension chain or belts with high interaxis between the pinions.



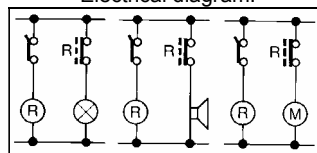
Typ Type	Cod. n°	A	B	C	ØD	E	I	R	Gew. Weight [Kg]
V 30	RE010997	80	100	115	10.5	35	8	11.2	0.51
V 40	RE010998	100	130	155	12.5	50	10	13.0	1.22



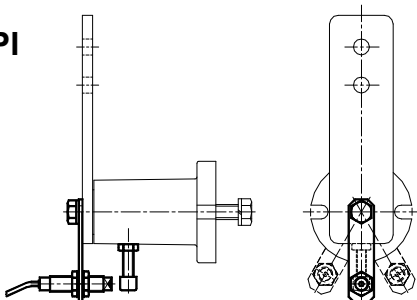
Anwendungsbeispiel / Application scheme

Zuböher Typ FM und FPI / FM and FPI type accessories
FM

 Mit elektrischen Schalter
with electrical switch.


Electrical diagram:



I fine corsa elettrici a interruttore "FM" e induttivo "FPI" sono utili quando si vuole controllare il corretto funzionamento della macchina e/o salvaguardare l'incolumità degli operatori. Vedi schema elettrico. *The "FM" electric limit switches and the "FPI" inductive limit switches are useful when You have to control the correct operation of the machine and/or to ensure the operator safety. See wiring diagram.*

FPI


Mit Induktionsschalter / with inductive switch.



Typ Type	Cod. N°
FM 10	RE011065
FM 20	RE011066
FM 30	RE011067
FM 40	RE011068
FM 50	RE011069
FM 60	RE011070
FM 70	RE011071

Tipo Type	Cod. N°
FPI 10	RE011075
FPI 20	RE011076
FPI 30	RE011077
FPI 40	RE011078
FPI 50	RE011079
FPI 60	RE011080
FPI 70	RE011081