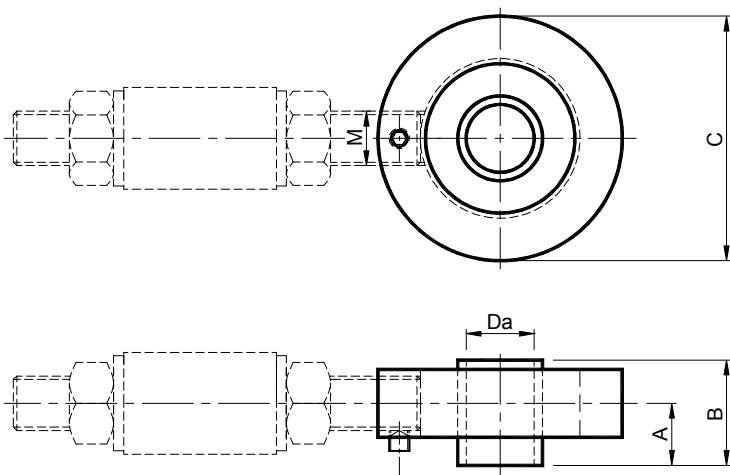


Kit pour groupes de renvoi / Kit for return units

Support – Type: **UCC** / Support – Type: **UCC**

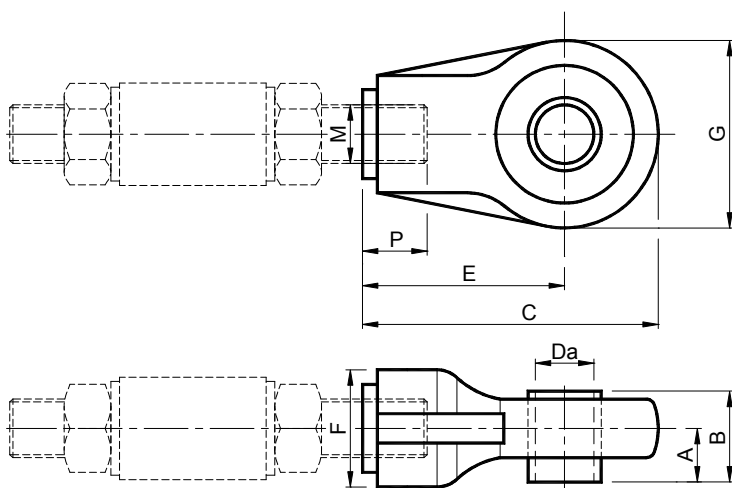


MATERIAUX support de cylindre de type UCC en acier.
UTILISATION Adapté pour la mise en tension d'arbres de renvoi tournants.
Température de fonctionnement $\leq 100^{\circ}\text{C}$.

MATERIALS cylindrical support type UCC made of steel.
USE Suitable to tension rotating return shafts.
Operating temperature $\leq 100^{\circ}\text{C}$.

| Type / Type | Code n° | Da | M | A | B | C | Poids Weight Kg |
|-------------------|----------|----|-----|------|------|-----|-----------------|
| UCC 20 M16 | TB002480 | 20 | M16 | 18.3 | 31 | 72 | 0.49 |
| UCC 25 M16 | TB002482 | 25 | M16 | 19.7 | 34 | 80 | 0.65 |
| UCC 30 M18 | TB002484 | 30 | M18 | 22.2 | 38.1 | 85 | 0.82 |
| UCC 35 M18 | TB002486 | 35 | M18 | 25.4 | 42.9 | 90 | 0.93 |
| UCC 40 M18 | TB002488 | 40 | M18 | 30.2 | 49.2 | 100 | 1.20 |

Support – Type: **SCH** / Support – Type: **SCH**



MATERIAUX support cylindrique type SCH en acier.
UTILISATION Adapté pour la mise en tension d'arbres de renvoi tournants.
Température de fonctionnement $\leq 100^{\circ}\text{C}$.

MATERIALS cylindrical support type SCH made of steel.
USE Suitable to tension rotating return shafts.
Operating temperature $\leq 100^{\circ}\text{C}$.

| Type / Type | Code n° | Da | A | B | C | E | F | G | M | P | Poids Weight |
|-------------------|----------|----|------|------|-----|----|----|----|-----|----|--------------|
| SCH 20 M16 | TB002500 | 20 | 18.3 | 31 | 101 | 69 | 40 | 64 | M16 | 24 | 0.50 |
| SCH 25 M16 | TB002502 | 25 | 19.7 | 34 | 104 | 69 | 40 | 70 | M16 | 24 | 0.74 |
| SCH 30 M18 | TB002504 | 30 | 22.2 | 38.1 | 109 | 69 | 40 | 80 | M18 | 24 | 0.91 |
| SCH 35 M18 | TB002506 | 35 | 25.4 | 42.9 | 121 | 75 | 40 | 92 | M18 | 24 | 1.20 |
| SCH 40 M18 | TB002508 | 40 | 30.2 | 49.2 | 126 | 78 | 40 | 96 | M18 | 24 | 1.40 |